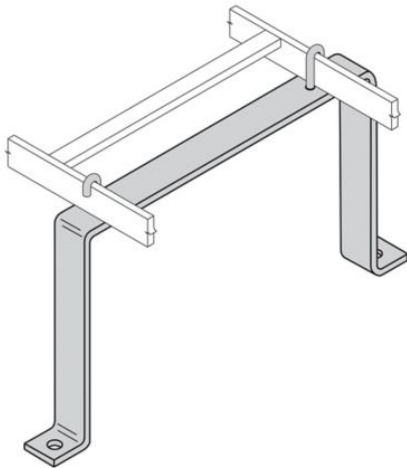


Eaton SB2261808TG

Catalog Number: SB2261808TG

Eaton B-Line series runway support, Used to support cable runway from objects, Includes 5/16 J bolts and nuts., 8" runway support, ASTM A36 structural steel, Telco gray powder coat



General specifications

Product Name	Catalog Number
Eaton B-Line series runway support	SB2261808TG
UPC	Product Length/Depth
799038185772	21.75 in
Product Height	Product Width
8 in	18 in
Product Weight	Certifications
3 lb	UL Listed

Product specifications

Special features

Includes 5/16 J bolts and nuts.

Type

Runway support

Material details

Telco gray powder coat ASTM A36 steel

Application

Used to support cable runway from objects

Resources

Brochures

[Redi-Rail runway brochure](#)

Catalogs

[Cable runway and accessories section of datacomm catalog](#)

Specifications and datasheets

[Eaton Specification Sheet - SB2261808TG](#)



Eaton Corporation plc
Eaton House
30 Pembroke Road
Dublin 4, Ireland
Eaton.com
© 2023 Eaton. All Rights Reserved.

Eaton is a registered trademark.

All other trademarks are property of their respective owners.



[Eaton.com/socialmedia](https://www.eaton.com/socialmedia)